

DAILY E6

50C & 70C CAB CHASSIS



Overseas Model Shown

ENGINE*

Power/Torque: 132 kW /430 Nm
Power/Torque: 155 kW /470 Nm

TRANSMISSION

6 Speed Manual Transmission
8 Speed Auto Transmission (optional)

MASS RATINGS (GVM)

50C Single & Dual 4495 -5200 kg (optional)
70C Single & Dual 7000-7200 kg

WHEELBASE (mm)

50C Single 3450-4750 mm
50C Dual 3450-4350 mm
70C Single & 70C Dual 3750-4750 mm

KEY FEATURES

Optional 8 Speed Auto Transmission

Steel C section chassis rails

Multiple Pack Options

Heated and suspended Driver's Seat

Adaptive Cruise Control

*For available options & details see the next pages.

MAINTENANCE & REPAIR

Service Bond Up to 5 Years/250,000 km

Easy Road Up to 5 Years/250,000 km

Extended Warranty Up to 5 Years/250,000 km

Specifications 50C SINGLE CAB CHASSIS

Dimensions (mm)

A Wheelbase	3450	3750	4100	4350	4750
B Overall Length	5983	6593	6993	7413	8278
C Front Overhang	1048	1048	1048	1048	1048
D Rear Overhang	1485	1795	1845	2015	2480
E Overall Width (cab)	2052	2052	2052	2052	2052
H Front axle to front of body	1355	1355	1355	1355	1355
K Overall Height unladen	2270	2264	2661	2257	2252
L Frame height at end of frame unladen	757	764	762	764	770
M Front Track width	1724	1724	1724	1724	1724
N Rear Track	1542	1542	1542	1542	1542
P Front ground clearance	182	182	182	182	182
Q Rear Ground Clearance	168	168	168	168	168
Turning circle kerb to kerb	12526	13466	14564	15348	16604
Turning circle wall to wall	13146	14090	15190	15976	17234

Mass (kg)

GVM	4495	4495	4495	4495	4495
GVM option	5200	5200	5200	5200	5200
GCM	7995	7995	7995	7995	7995
GCM option	8700	8700	8700	8700	8700
Towing capacity with braked trailer	3500	3500	3500	3500	3500
Front axle capacity	2100	2100	2100	2100	2100
Rear axle capacity	3700	3700	3700	3700	3700
Kerb mass front axle	1425	1444	1462	1478	1488
Kerb mass rear axle	695	691	683	690	702
Kerb mass total*	2120	2135	2145	2168	2190
Payload capacity	2375	2360	2350	2327	2305

* Kerb masses are with minimal fuel, spare wheel, tools and no driver

Options:

3450 WB	S
3750 WB	O
4100 WB	O
4350 WB	O
4750 WB	O
FIC 3.0L engine: 210 hp / 470 Nm	O
8-speed Hi-Matic Automatic Transmission	O
Reverse camera, Rear Parking proximity sensors	O
ECAS rear air suspension	O
Passenger seat: heated, suspended, adjustable with lumbar support	O
Differential lock	O
Rear step	O
Expansion module	O
Run lock function	O
5.2 tonnes re-rating	O
Crosswind Assist	O

O – Optional
S – Standard

Front Axle & Suspension

Capacity: 2100 kg
Suspension Type: Independent with adjustable steel torsion bar

Rear Axle & Suspension

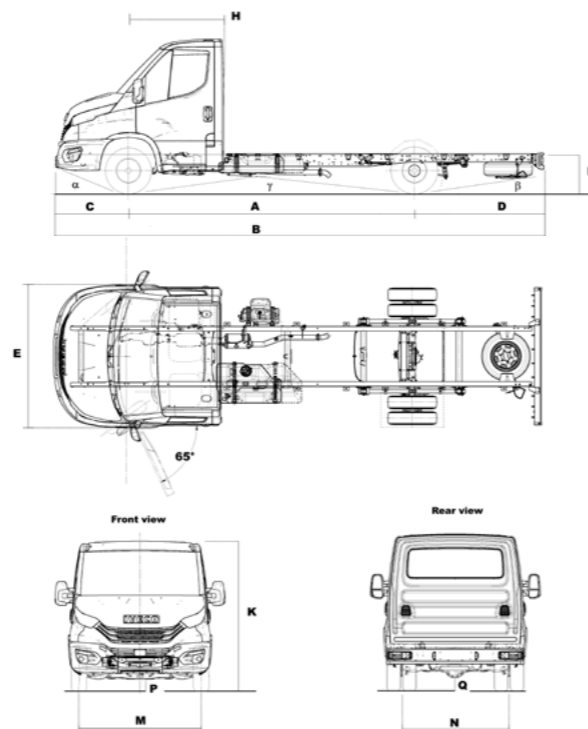
Capacity: 3700 kg
Suspension Type: Rear parabolic spring
Optional Suspension: ECAS - Rear air suspension
Rear axle ratio: Single Cab - 3.91: 1
Optional Differential: Driver Controlled Differential Lock

Brakes

Front / Diameter: Disc brakes / 290 mm
Rear / Diameter: Disc brakes / 289 mm
Parking brake: Electronic
Service brakes: Full ABS disc brakes with floating calipers with auto wear adjustment. Hydraulically operated with vacuum servo assistance. Interdependent dual circuit configuration. Low Brake fluid level indicator - front & rear pad wear sensors. Asbestos free pads.

Wheels & Tyres

Wheels: Steel 5J x R16
• Spare wheel included - positioned under chassis
• Dual rear wheels
Tyre Size: 195/75 R16



Specifications 50C DUAL CAB CHASSIS

Dimensions (mm)

A Wheelbase	3450	3750	4100	4350
B Overall Length	5983	6593	6993	7413
C Front Overhang	1048	1048	1048	1048
D Rear Overhang	1485	1795	1845	2015
E Overall Width (cab)	2052	2052	2052	2052
H Front axle to front of body	2105	2105	2105	2105
K Overall Height unladen	2270	2264	2661	2257
L Frame height at end of frame unladen	752	762	759	762
M Front Track width	1724	1724	1724	1724
N Rear Track	1542	1542	1542	1542
P Front ground clearance	182	182	182	182
Q Rear Ground Clearance	168	168	168	168
Turning circle kerb to kerb	12526	13466	14564	15348
Turning circle wall to wall	13146	14090	15190	15976

Mass (kg)

GVM	4495	4495	4495	4495
GVM option	5200	5200	5200	5200
GCM	7995	7995	7995	7995
GCM option	8700	8700	8700	8700
Towing capacity with braked trailer	3500	3500	3500	3500
Front axle capacity	2100	2100	2100	2100
Rear axle capacity	3700	3700	3700	3700
Kerb mass front axle	1534	1556	1580	1602
Kerb mass rear axle	786	778	763	765
Kerb mass total*	2320	2334	2343	2367
Payload capacity	2175	2161	2152	2128

* Kerb masses are with minimal fuel, spare wheel, tools and no driver

Options:

3450 WB	S
3750 WB	O
4100 WB	O
4350 WB	O
FIC 3.0L engine: 210 hp / 470 Nm	O
8-speed Hi-Matic Automatic Transmission	O
Reverse camera, Rear Parking proximity sensors	O
3.92 Rear axle ratio	O
3.6 Rear axle ratio	O
ECAS rear air suspension	O
Passenger seat: heated, suspended, adjustable with lumbar support	S
Differential lock	O
Rear step	O
Expansion module	O
Run lock function	O
5.2 tonnes re-rating	O
Crosswind Assist	O

O – Optional
S – Standard

Front Axle & Suspension

Capacity: 2100 kg
Suspension Type: Independent with adjustable steel torsion bar

Rear Axle & Suspension

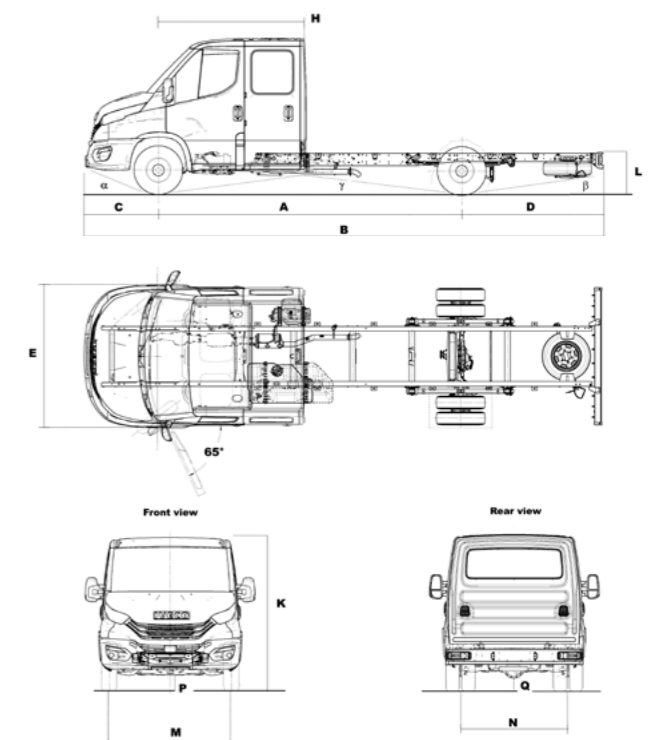
Capacity: 3700 kg
Suspension Type: Rear parabolic spring
Optional Suspension: ECAS - Rear air suspension
Rear axle ratio: Dual Cab - 4.44: 1
Optional Differential: Driver Controlled Differential Lock

Brakes

Front / Diameter: Disc brakes / 290 mm
Rear / Diameter: Disc brakes / 289 mm
Parking brake: Electronic
Service brakes: Full ABS disc brakes with floating calipers with auto wear adjustment. Hydraulically operated with vacuum servo assistance. Interdependent dual circuit configuration. Low Brake fluid level indicator - front & rear pad wear sensors. Asbestos free pads.

Wheels & Tyres

Wheels: Steel 5J x R16
• Spare wheel included - positioned under chassis
• Dual rear wheels
Tyre Size: 195/75 R16



Specifications 70C SINGLE CAB CHASSIS

Dimensions (mm)

A Wheelbase	3750	4100	4350	4750
B Overall Length	6593	6993	7413	8278
C Front Overhang	1048	1048	1048	1048
D Rear Overhang	1795	1845	2015	2480
E Overall Width (cab)	2052	2052	2052	2052
H Front axle to front of body	1355	1355	1355	1355
K Overall Height unladen	2320	2312	2305	2299
L Frame height at end of frame unladen	876	872	877	886
M Front Track width	1725	1725	1725	1725
N Rear Track	1660	1660	1660	1660
P Front ground clearance	165	165	165	165
Q Rear Ground Clearance	169	169	169	169
Turning circle kerb to kerb	13048	14108	14866	16078
Turning circle wall to wall	13694	14758	15518	16734

Mass (kg)

GVM	7200	7200	7200	7200
GVM option	4495	4495	4495	4495
GCM	10700*	10700*	10700*	10700*
GCM option	7995	7995	7995	7995
Towing capacity with braked trailer	3500	3500	3500	3500
Front axle capacity	2500	2500	2500	2500
Rear axle capacity	5350	5350	5350	5350
Kerb mass front axle	1522	1544	1562	1563
Kerb mass rear axle	923	914	927	944
Kerb mass total*	2445	2458	2489	2513
Payload capacity	4755	4742	4711	4687

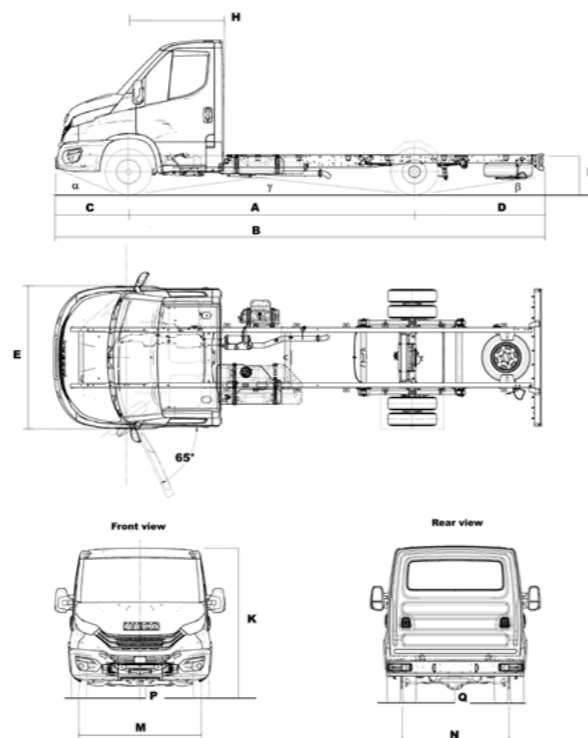
* 10500kg limit if optioned with Hi-Matic transmission

** Kerb masses are with minimal fuel, spare wheel, tools and no driver

Options:

3750 WB	S
4100 WB	O
4350 WB	O
4750 WB	O
FIC 3.0L engine: 210 hp / 470 Nm	O
8-speed Hi-Matic Automatic Transmission	O
Reverse camera, Rear Parking proximity sensors	O
3.92 Rear axle ratio	O
3.6 Rear axle ratio	O
ECAS rear air suspension	O
Passenger seat: heated, suspended, adjustable with lumbar support	O
Differential lock	O
Rear step	O
Expansion module	O
Run lock function	O
4.495 tonnes re-rating	O
Crosswind Assist	O

O – Optional
S – Standard



Front Axle & Suspension

Capacity: 2500 kg
Suspension Type: Independent with adjustable steel torsion bar

Rear Axle & Suspension

Capacity: 5350 kg
Suspension Type: Rear parabolic spring
Optional Suspension: ECAS - Rear air suspension

Rear axle ratio: Single Cab - 4.30: 1
Optional Differential: Driver Controlled Differential Lock

Brakes

Front / Diameter: Disc brakes / 301 mm
Rear / Diameter: Disc brakes / 306 mm

Parking brake: Electronic
Service brakes: Full ABS disc brakes with floating calipers with auto wear adjustment. Hydraulically operated with vacuum servo assistance. Interdependent dual circuit configuration. Low Brake fluid level indicator - front & rear pad wear sensors. Asbestos free pads.

Wheels & Tyres

Wheels: Steel 6J x R16
• Spare wheel included - positioned under chassis
• Dual rear wheels
Tyre Size: 225/75 R16

Specifications 70C DUAL CAB CHASSIS

Dimensions (mm)

A Wheelbase	3750	4100	4350	4750
B Overall Length	6593	6993	7413	8278
C Front Overhang	1048	1048	1048	1048
D Rear Overhang	1795	1845	2015	2480
E Overall Width (cab)	2052	2052	2052	2052
H Front axle to front of body	2105	2105	2105	2105
K Overall Height unladen	2335	2321	2314	2302
L Frame height at end of frame unladen	875	872	875	885
M Front Track width	1725	1725	1725	1725
N Rear Track	1660	1660	1660	1660
P Front ground clearance	179	179	179	179
Q Rear Ground Clearance	150	150	150	150
Turning circle kerb to kerb	13048	14108	14866	16078
Turning circle wall to wall	13694	14758	15518	16734

Mass (kg)

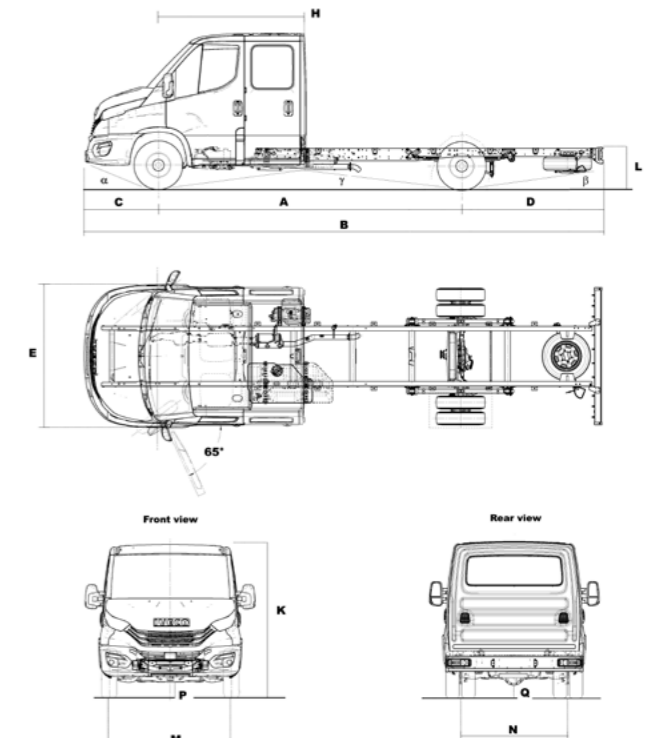
GVM	7000	7000	7000	7000
GVM option	4495	4495	4495	4495
GCM	10500	10500	10500	10500
GCM option	7995	7995	7995	7995
Towing capacity with braked trailer	3500	3500	3500	3500
Front axle capacity	2500	2500	2500	2500
Rear axle capacity	5350	5350	5350	5350
Kerb mass front axle	1638	1666	1688	1702
Kerb mass rear axle	1008	992	1000	1011
Kerb mass total*	2646	2658	2688	2713
Payload capacity	4354	4342	4312	4287

* Kerb masses are with minimal fuel, spare wheel, tools and no driver

Options:

3750 WB	S
4100 WB	O
4350 WB	O
4750 WB	O
FIC 3.0L engine: 210 hp / 470 Nm	O
8-speed Hi-Matic Automatic Transmission	O
Reverse camera, Rear Parking proximity sensors	O
4.3 Rear axle ratio	O
ECAS rear air suspension	O
Passenger seat: heated, suspended, adjustable with lumbar support	S
Differential lock	O
Rear step	O
Expansion module	O
Run lock function	O
4.495 tonnes re-rating	O
Crosswind Assist	O

O – Optional
S – Standard



Front Axle & Suspension

Capacity: 2500 kg
Suspension Type: Independent with adjustable steel torsion bar

Rear Axle & Suspension

Capacity: 5350 kg
Suspension Type: Rear parabolic spring
Optional Suspension: ECAS - Rear air suspension

Rear axle ratio: Dual Cab - 4.556: 1
Optional Differential: Driver Controlled Differential Lock

Brakes

Front / Diameter: Disc brakes / 301 mm
Rear / Diameter: Disc brakes / 306 mm

Parking brake: Electronic
Service brakes: Full ABS disc brakes with floating calipers with auto wear adjustment. Hydraulically operated with vacuum servo assistance. Interdependent dual circuit configuration. Low Brake fluid level indicator - front & rear pad wear sensors. Asbestos free pads.

Wheels & Tyres

Wheels: Steel 6J x R16
• Spare wheel included - positioned under chassis
• Dual rear wheels
Tyre Size: 225/75 R16

Specifications

Engine

180EVID FIC Euro 6 Heavy Duty engine with variable geometry turbine (VGT)

Maximum Output: 132 kW (180 HP) @ 3500 rpm

Maximum Torque: 430 Nm (317 ft-lbs) @ 1500 rpm

Emissions Technology: Exhaust Gas Recirculation and Selective Catalytic Reduction

Total Displacement: FIC: 3.0 litre

Exhaust: Muffler horizontally positioned on the right side and tailpipe located mid-way down right side of vehicle

Optional Engine: 210EVID - Engine FIC 210 Hp EURO 6 Heavy Duty with Electronically-controlled variable geometry turbine (e-VGT).

Maximum Output: 155 kW (210 HP) @ 3500

Maximum Torque: 470 Nm (347 ft-lbs) @ 1500

Transmission

Standard 6-speed Synchronesh Manual Transmission (manual not available with 210 hp engine option)

Type: 2840.6 OD 1st 5.375, 2nd 3.154, 3rd 2.041, 4th 1.365, 5th 1.000, 6th 0.791 OD, Rev.4.838

Optional Transmission (for 180 hp engine; standard for 210 hp engine): 8-speed ZF Torque Converter Automatic (Hi-Matic 8HP70L)

Type: 8HP70L. 1st 4.696, 2nd 3.130, 3rd 2.104, 4th 1.667, 5th 1.285, 6th 1, 7th 0.839 -O.D. 8th 0.667 - D.O.D, rev. 3.297

Steering

Type: Electric Power Steering (EPS)

Diameter: 380 mm diameter steering wheel with tilt and telescopic adjustment

Clutch

Type: Single dry plate hydraulic control

Diameter: 280 mm (180 hp)

Chassis

Type: C Section steel longitudinal side members and tubular cross members

Electrical System

Type: 12V

Battery: 12V-110 Ah (Smart-charging)

Smart Alternator: 12V-220 A

Trailer Wiring: Wiring to rear of chassis

Safety

- **ESP9** - includes ABS (Antilock Braking System), EBD (Electronic Brake force Distribution), ASR (Anti Slip Regulator), MSR (Motor Drag torque control) Hill Holder (Assisted uphill departure), HBA (Hydraulic Brake Assist), LAC (Load Adaptive Control), TSM (Trailer sway mitigation), RMI (Roll Movement Intervention), & ROM (Roll Over Mitigation)

- Four SRS airbags

- Advanced Emergency Braking System (AEBS)

Cabin Features

- Driver, passenger and curtain airbags with seat belt pretensioners

- Suspended, heated and fully adjustable driver seat with armrest

- Suspended, heated and fully adjustable passenger seat with armrest (dual cab)

- Bench seat with two occupant capacity, under seat storage and fold down table (single cab)

- Second row seating for up to four passengers (dual cab models)

- Adaptive cruise control

- Electric windows

- Exterior mirrors with integrated wide angle and direction indicators, heated and electronically adjustable

- Overhead console with storage shelf

- Large dual storage pockets in doors

- Document storage compartment

- Body builder connections

- 2 cup and 2x bottle holders

- Air conditioning

- Electronic parking brake

- Ecoswitch Pro

- 2 spotlights

- 4 loud speakers

Lights

- Daytime running lights

- Optional full LED headlights (Pack Contents)

Dashboard

- 3.5" TFT display and silver dial rings

- TFT Display Panel includes: digital speedometer, ADAS (Advanced Driver-Assistance Systems) dashboard, ADAS quick menu, TPMS, oil, battery and service information. Navigation and phone multimedia, fuel economy, trip computer, vehicle settings, display settings and diagnostics.

- Engine oil level display

- Hi-Connect Multimedia System - Apple CarPlay, Android Auto, DAB Radio, MP3 player, USB and AUX connectivity, Bluetooth with steering wheel controls

- Instrument light dimmer switch

- Dash-mounted gear lever

- 3 storage areas on top of dash

Security

- Central locking with remote control

- Steering lock

- Engine immobiliser

- Run Lock Function (Only available if Expansion Module option is selected)

Fuel System

- 100 litres with fuel cap location on passenger side

- 20 litre Adblue

Optional Upgrade Packs

Hi-Business Pack

- Hi-Connect multimedia system with GPS navigation

- Open storage with inductive plus USB charge

- Fog lights

- Full L.E.D Headlights

Hi-Comfort Pack

- Automatic controlled air conditioning

- Leather covered steering wheel

- Tyre Pressure Monitoring System (TPMS)

- Automatic wipers and headlights control

Hi-Technology Pack – Automatic Transmission

- Queue assist

- Lane departure warning system + Proactive lane keep assist

- City brake

- Traction plus and hill descent

- Automatic high beam control

Hi-Technology Pack – Manual Transmission

- Lane departure warning system + Proactive lane keep assist

- City brake

- Traction plus and hill descent

- Automatic high beam control



