

DAILY E6

VAN
35S, 50C & 70C



Overseas Model Shown

ENGINES*

Power/Torque 100kW/350Nm
Power/Torque 132kW/430Nm
Power/Torque 155kW/470Nm

TRANSMISSION

6 Speed Manual
8 Speed Auto Transmission (optional)

MASS RATINGS (GVM)

35S 3800 kg
50C 4495 kg
50C 5200 kg (optional)
70C 7000 kg

WHEELBASE (mm)

35S 3000-4100 mm
50C 3520-4100 mm
70C 4100 mm

KEY FEATURES

Optional 8 Speed Auto Transmission
Steel C section chassis rails
Multiple Pack Options
Heated and suspended Driver's Seat
Adaptive Cruise Control

MAINTENANCE & REPAIR

ServiceBond – Up to 5 Years/250,000 km
EasyRoad - Up to 5 Years/250,000 km
Extended Warranty - Up to 5 Years/250,000 km

*For available options & details see the next pages.

IVECO
Drive the road of change

Specifications 35S VAN

Dimensions (mm)

A Wheelbase	3000	3520	3520	4100
B Overall length	5476	5687	6087	7252
C Front overhang	1048	1048	1048	1048
D Rear overhang	1119	1119	1519	2104
E Overall width (Cab)	2052	2052	2052	2052
K Overall height unladen	2315	2314	2660	2663
M Front track width	1740	1740	1740	1740
N Rear track	1704	1704	1704	1704
P Front Ground Clearance	140	140	140	140
Q Rear Ground Clearance	155	155	155	155
Turning circle kerb to kerb	10546	12084	12084	13800
Turning circle wall to wall	11200	12744	12744	14466

Cargo Area (mm)

Volume (m ³)	7.3	9	12	16
Internal length	2610	3130	3540	4680
Internal width	1740	1740	1740	1740
Internal height	1545 (H1)	1545 (H1)	1900 (H2)	1900 (H2)
Height of loading floor - unladen	715	685	682	685
Wheel house distance (int.)	1317	1317	1317	1317
Rear door opening width	1530	1530	1530	1530
Rear door opening height	1450	1450	1800	1800
Side door opening width	1100	1260	1260	1260
Side door opening height	1425	1425	1800	1800

Mass (kg)

GVM	3800*	3800*	3800*	3800*
GCM	7300	7300	7300	7300
Towing capacity with braked trailer	3500	3500	3500	3500
Front axle capacity	1900	1900	1900	1900
Rear axle capacity	2430	2430	2430	2430
Kerb mass front axle	1359	1444	1372	1420
Kerb mass rear axle	806	777	907	1013
Kerb mass total**	2165	2221	2279	2433
Payload capacity	1635	1579	1521	1367

* 3500kg GVM and 6700kg GCM with rear air suspension

** Kerb masses are with minimal fuel, spare wheel, tools and no driver

Front Axle & Suspension

Capacity: 1900 kg

Suspension Type: Double wishbone with transversal leaf spring

Rear Axle & Suspension

Capacity: 2430 kg

Suspension Type: Rear parabolic spring

Optional Suspension: ECAS - Rear air suspension (3.5T GVM)

Capacity: 2240 kg (35S 3.5T GVM)

Rear axle ratio: 3.60: 1

Brakes

Front / Diameter: Disc brakes / 300 mm

Rear / Diameter: Disc brakes / 296 mm

Parking brake: Electronic

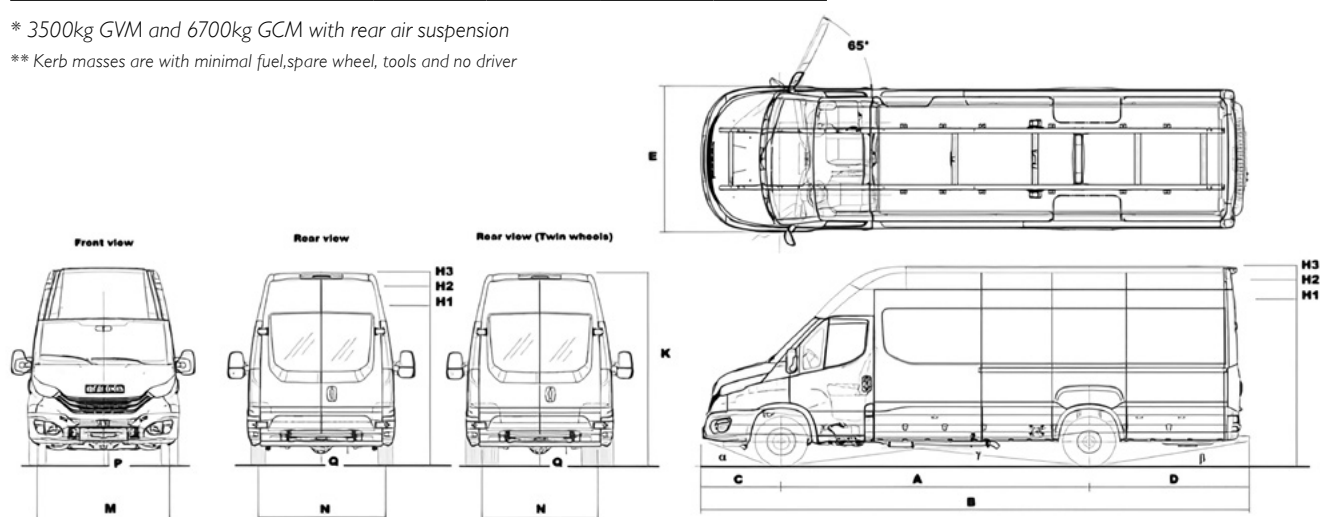
Service brakes: Full ABS disc brakes with floating calipers and auto wear adjustment. Hydraulically operated with vacuum servo assistance. Dual independent cross split circuit configuration. Low Brake fluid level indicator - front & rear pad wear sensors. Asbestos free pads.

Wheels & Tyres

Wheels: Steel 6.5J x R16

- Spare wheel included - in load compartments on some models
- Single rear wheel

Tyre Size: 235/65 R16



DAILY E6

Specifications 50C VAN

Dimensions (mm)

A Wheelbase	3520	4100	4100	4100
B Overall length	6109	7274	7274	7674
C Front overhang	1048	1048	1048	1048
D Rear overhang	1541	2126	2126	2526
E Overall width (Cab)	2052	2052	2052	2052
K Overall height unladen	2748	2752	2944	2945
M Front track width	1724	1724	1724	1724
N Rear track	1542	1542	1542	1542
P Front Ground Clearance	197	197	197	197
Q Rear Ground Clearance	162	162	162	162
Turning circle kerb to kerb	12744	14564	14564	14564
Turning circle wall to wall	13366	15190	15190	15190

Cargo Area (mm)

Volume (m ³)	12	16	18	19.6
Internal length	3540	4680	4680	5125
Internal width	1740	1740	1740	1740
Internal height	1900 (H2)	1900 (H2)	2100 (H3)	2100 (H3)
Height of loading floor - unladen	770	774	774	775
Wheel house distance (int.)	1032	1032	1032	1032
Rear door opening width	1530	1530	1530	1530
Rear door opening height	1800	1800	2000	2000
Side door opening width	1260	1260	1260	1260
Side door opening height	1800	1800	1800	1800

Mass (kg)

GVM	4495	4495	4495	4495
GVM Option	5200	5200	5200	5200
GCM	7995	7995	7995	7995
GCM Option	8700	8700	8700	8700
Towing capacity with braked trailer	3500	3500	3500	3500
Front axle capacity	2100	2100	2100	2100
Rear axle capacity	3700	3700	3700	3700
Kerb mass front axle	1488	1512	1520	1513
Kerb mass rear axle	1065	1177	1193	1230
Kerb mass total*	2553	2689	2713	2743
Payload capacity	1942	1806	1782	1752

* Kerb masses are with minimal fuel, spare wheel, tools and no driver

Front Axle & Suspension

Capacity: 2100 kg

Suspension Type: Independent with adjustable steel torsion bar

Rear Axle & Suspension

Capacity: 3700 kg

Suspension Type: Rear parabolic spring

Optional Suspension: ECAS - Rear air suspension

Rear axle ratio: 3.60: 1

Optional Differential: Driver Controlled Differential Lock

Brakes

Front / Diameter: Disc brakes / 290 mm

Rear / Diameter: Disc brakes / 290 mm

Parking brake: Electronic

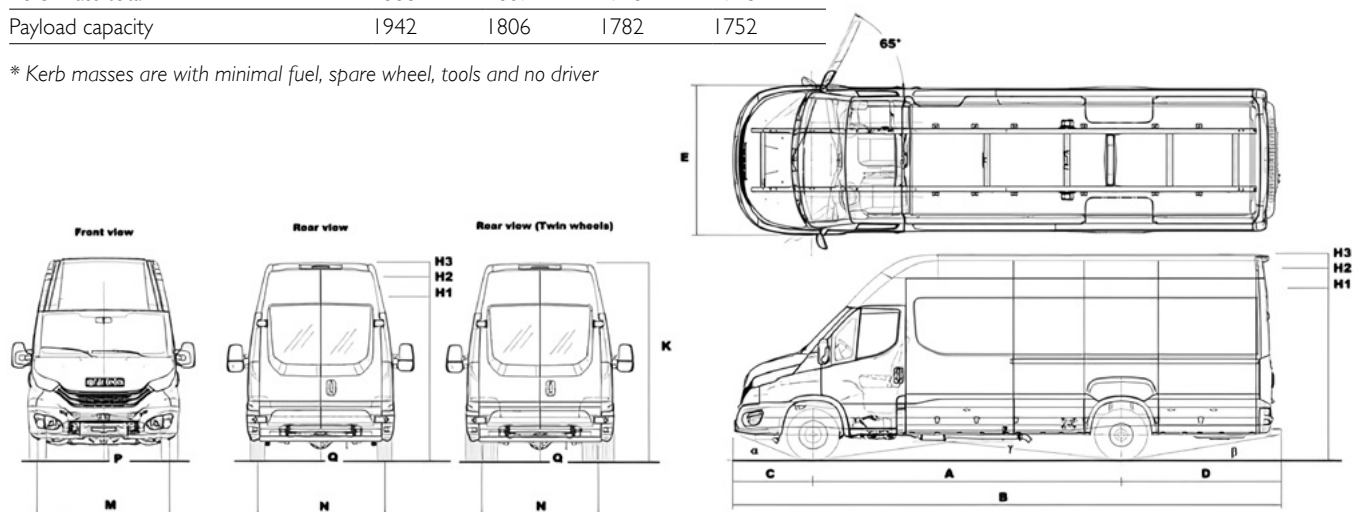
Service brakes: Full ABS disc brakes with floating calipers and auto wear adjustment. Hydraulically operated with vacuum servo assistance. Dual independent circuit configuration. Low Brake fluid level indicator - front & rear pad wear sensors. Asbestos free pads.

Wheels & Tyres

Wheels: Steel 5J x R16

- Spare wheel included - in load compartments on some models
- Dual rear wheels

Tyre Size: 195/75 R16



Specifications 70C VAN

Dimensions (mm)

A Wheelbase	4100 (H3)	4100 (H3)
B Overall length	7264	7664
C Front overhang	1048	1048
D Rear overhang	2116	2516
E Overall width (Cab)	2052	2052
K Overall height unladen	3041	3054
M Front track width	1725	1725
N Rear track	1660	1660
P Front Ground Clearance	206	206
Q Rear Ground Clearance	160	160
Turning circle kerb to kerb	14108	14108
Turning circle wall to wall	14758	14758

Cargo Area (mm)

Volume (m ³)	18	19.6
Internal length	4680	5125
Internal width	1740	1740
Internal height	2100 (H3)	2100 (H3)
Height of loading floor - unladen	871	884
Wheel house distance (int.)	1032	1032
Rear door opening width	1530	1530
Rear door opening height	2000	2000
Side door opening width	1260	1260
Side door opening height	1800	1800

Mass (kg)

GVM	7000	7000
GCM	10500	10500
Towing capacity with braked trailer	3500	3500
Front axle capacity	2500	2500
Rear axle capacity	5350	5350
Kerb mass front axle	1602	1601
Kerb mass rear axle	1445	1475
Kerb mass total*	3047	3076
Payload capacity	3953	3924

* Kerb masses are with minimal fuel, spare wheel, tools and no driver

Front Axle & Suspension

Capacity: 2500 kg

Suspension Type: Independent with adjustable steel torsion bar

Rear Axle & Suspension

Capacity: 5350 kg

Suspension Type: Rear parabolic spring

Optional Suspension: ECAS - Rear air suspension

Rear axle ratio: 70C - 4.30: 1

Optional Differential: Driver Controlled Differential Lock

Brakes

Front / Diameter: Disc brakes / 301 mm

Rear / Diameter: Disc brakes / 306 mm

Parking brake: Electronic

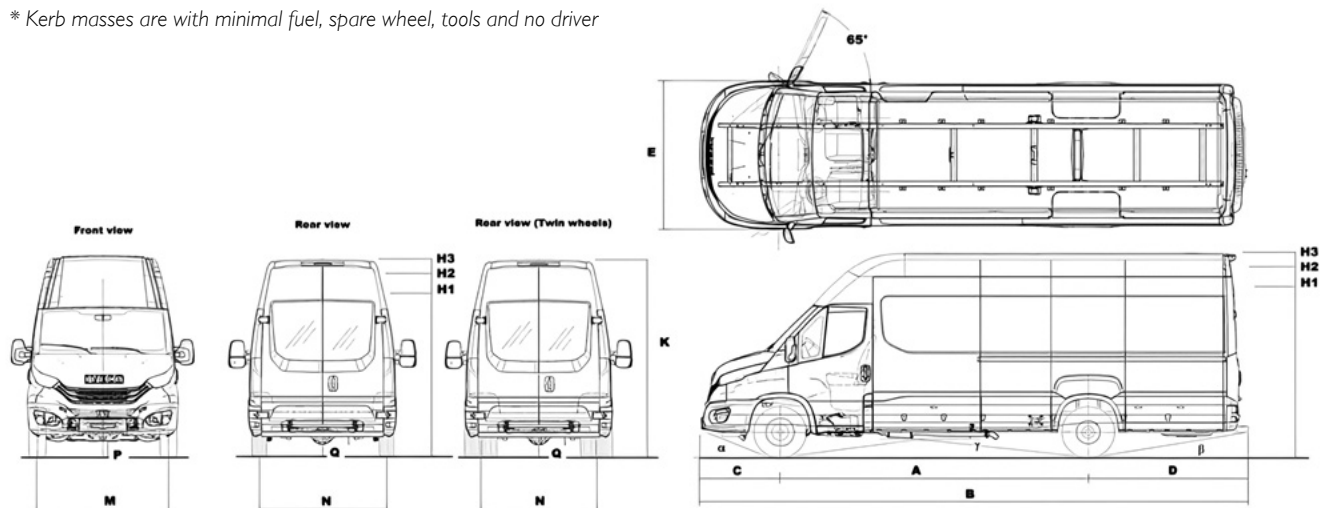
Service brakes: Full ABS disc brakes with floating calipers and auto wear adjustment. Hydraulically operated with vacuum servo assistance. Dual independent circuit configuration. Low Brake fluid level indicator - front & rear pad wear sensors. Asbestos free pads.

Wheels & Tyres

Wheels: Steel 6J x R16

- Spare wheel included - in load compartments on some models
- Dual rear wheels

Tyre Size: 225/75 R16



Specifications

Engine

136EVID FIA Euro 6 Heavy Duty engine (standard on 35S)
4 stroke diesel with direct-injection, intercooler and electronic-controlled variable geometry turbine (e-VGT).

Maximum Output 136EVID: 100 kW (136 hp) @ 3600 rpm

Maximum Torque 136EVID: 350 Nm (258 ft-lbs) @ 1500 rpm

180EVID FIC Heavy Duty Euro 6 engine (Standard on 50C & 70C)
4 stroke diesel with direct-injection, Variable Geometry Turbocharger (VGT) and intercooler

Maximum Output: 180EVID: 132 kW (180 hp) @ 3500 rpm

Maximum Torque: 180EVID: 430 Nm (317 ft-lbs) @ 1500 rpm

Optional Engine available on 35S, 50C and 70C: 210EVID -
Engine FIC 210 Hp EURO 6 Heavy Duty 4 stroke diesel with direct-injection and electronically-controlled variable geometry turbine (e-VGT)

Maximum Output: 210EVID: 155 kW (210 hp) @ 3500

Maximum Torque: 210EVID: 470 Nm (347 ft-lbs) @ 1500

Emissions Technology: Exhaust Gas Recirculation and Selective Catalytic Reduction

Total Displacement: FIA: 2.3 litre, FIC: 3.0 litre

Exhaust: Muffler horizontally positioned on the right side and tailpipe located mid-way down right side of vehicle

Transmission

6-speed Synchronesh Double Overdrive Manual Transmission

Type: 2835.6 DOD (136 hp)

1st 5.004, 2nd 2.635, 3rd 1.503, 4th 1.000, 5th 0.812 OD, 6th 0.685 DOD, Rev. 4.189

6-speed Synchronesh Manual Transmission

Type: 2840.6 OD (180 hp) 1st 5.375, 2nd 3.154, 3rd 2.041, 4th 1.365, 5th 1.000, 6th 0.791 OD, Rev.4.838

Optional Transmission: 8-speed ZF Torque Converter Automatic (Hi-Matic)

Type: 8V470A - 1st 4.696, 2nd 3.130, 3rd 2.104, 4th 1.667, 5th 1.285, 6th 1.000, 7th 0.839 OD, 8th 0.667 DOD, Rev. 3.297

Steering

Type: Electric Power Steering (EPS)

Diameter: 380 mm diameter steering wheel with telescopic and tilt adjustment

Clutch

Type: Single dry plate hydraulic control

Diameter: 267 mm (136 hp); 280 mm (180 hp)

Fuel System

100 litres with fuel cap location on passenger side (70 litres on 7.3m³)

20 litre Adblue

Electrical System

Type: 12V

Battery: 12V-110 Ah (Smart-charging)

Smart Alternator: 12V-220 A

Trailer: Wiring to rear of chassis

Chassis

Type: C Section steel longitudinal side members and tubular cross members

Cabin Features

- Driver, passenger and curtain airbags with seat belt pretensioners
- Suspended, heated and fully adjustable driver seat with armrest
- Bench seat with two occupant capacity, under seat storage and fold down table
- Adaptive cruise control
- Electric windows
- Exterior mirrors with integrated wide angle and direction indicators, heated and electronically adjustable
- Overhead console with storage shelf
- Large dual storage pockets in doors
- Document storage compartment
- Body builder connections
- 2 cup and 2x bottle holders
- Air conditioning
- Electronic parking brake
- Ecoswitch Pro
- 2 spotlights
- 4 loud speakers



Overseas Model Shown

Specifications

Safety

- **ESP9** - Includes: ABS (Antilock Braking System), EBD (Electronic Brake force Distribution), ASR (Anti Slip Regulator), MSR (Motor Drag torque control) Hill Holder (Assisted uphill departure), HBA (Hydraulic Brake Assist), LAC (Load Adaptive Control), TSM (Trailer sway mitigation), RMI (Roll Movement Intervention), & ROM (Roll Over Mitigation)
- Four SRS airbags
- Advanced Emergency Braking System (AEBS)
- Reverse Camera

Lights

- Daytime running lights
- Full L.E.D Headlights (available with Hi-Business Pack)

Dashboard

- 3.5" high resolution TFT colour display and silver dial rings
- TFT Display Panel includes: digital speedometer, ADAS (Advanced Driver-Assistance Systems) dashboard, ADAS quick menu, TPMS, oil, battery and service information. Navigation and phone multimedia, fuel economy, trip computer, vehicle settings, display settings and diagnostics.
- Engine oil level display
- Hi-Connect Multimedia System - Apple CarPlay, Android Auto, DAB Radio, MP3 player, USB and AUX connectivity, Bluetooth with steering wheel controls
- Instrument light dimmer switch
- Dash-mounted gear lever
- 3 storage areas on top of dash

Security

- Central locking with remote control
- Steering lock
- Engine immobiliser
- Run Lock Function (Only available if Expansion Module option is selected)

Load Area

- Floor – steel ribbed with load lashing rings
- Side access via top hung side sliding door internal step and grab handle
- Rear access by hinged doors with stops at 90° and 270° (180° on 7.3 m3) and grab handle
- Interior lights at side and rear (door operated with individual isolation)
- Full bulkhead with window



Options

35C VAN Options:

7m ³ = 3000WB x 1545 (H1)	S
9m ³ = 3520WB x 1545 (H1)	O
12m ³ = 3520WB x 1900 (H2)	O
16m ³ = 4100WB x 1900 (H2)	O
FIC 3.0L engine: 180 hp / 430 Nm	O
FIC 3.0L engine: 210 hp / 470 Nm	O
8-speed Hi-Matic Automatic Transmission	O
ECAS rear air suspension	O
Windows in rear; doors heated and tinted	O
Window on sliding door (passenger side)	O
Dual sliding doors	O
Windowed dual sliding doors	O
Passenger seat: heated, suspended, adjustable with lumbar support	O
Remove bulkhead	O
Bulkhead for side door loading pallet mission	O
Rear step	S
Expansion module	O
Run lock function	O
Light aluminium alloy wheels	O
Crosswind Assist	O

O – Optional
S – Standard

50C VAN Options:

12m ³ = 3520WB x 1900 (H2)	S
16m ³ = 4100WB x 1900 (H2)	O
18m ³ = 4100WB x 2100 (H3)	O
19.6m ³ = 4100LWB x 2100 (H3)	O
FIC 3.0L engine: 180 hp / 430 Nm	S
FIC 3.0L engine: 210 hp / 470 Nm	O
8-speed Hi-Matic Automatic Transmission	O
ECAS rear air suspension	O
Windows in rear; doors heated and tinted	O
Window on sliding door (passenger side)	O
Dual sliding doors	O
Windowed dual sliding doors	O
Passenger seat: heated, suspended, adjustable with lumbar support	O
Remove bulkhead	O
Bulkhead for side door loading pallet mission	O
Differential lock	O
Rear step	S
Expansion module	O
Run lock function	O
5.2 tonnes re-rating	O
Crosswind Assist	O

O – Optional
S – Standard

70C VAN Options:

18m ³ = 4100WB x 2100 (H3)	S
19.6m ³ = 4100LWB x 2100 (H3)	O
FIC 3.0L engine: 180 hp / 430 Nm	S
FIC 3.0L engine: 210 hp / 470 Nm	O
8-speed Hi-Matic Automatic Transmission	O
ECAS rear air suspension	O
Windows in rear; doors heated and tinted	O
Window on sliding door (passenger side)	O
Dual sliding doors	O
Windowed dual sliding doors	O
Passenger seat: heated, suspended, adjustable with lumbar support	O
Remove bulkhead	O
Bulkhead for side door loading pallet mission	O
Differential lock	O
Rear step	O
Expansion module	O
Run lock function	O
Crosswind Assist	O

O – Optional
S – Standard

Optional Upgrade Packs

Hi-Business Pack

- Fog lights
- Full L.E.D Headlights
- Open storage with inductive plus USB charge
- Hi-Connect multimedia system with GPS navigation

Hi-Comfort Pack

- Leather covered steering wheel
- Automatic controlled air conditioning
- Tyre Pressure Monitoring System (TPMS)
- Automatic wipers and headlights control

Hi-Technology Pack – Automatic Transmission

- City brake
- Queue assist
- Traction plus and hill descent
- Automatic high beam control
- Lane departure warning system + Proactive lane keep assist

Hi-Technology Pack – Manual Transmission

- City brake
- Traction plus and hill descent
- Automatic high beam control
- Lane departure warning system + Proactive lane keep assist

